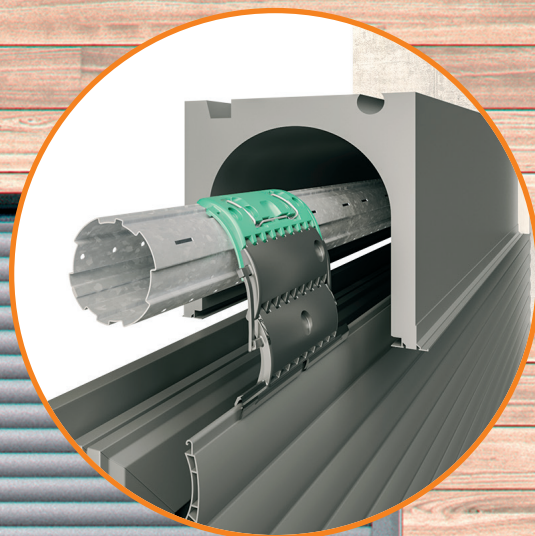


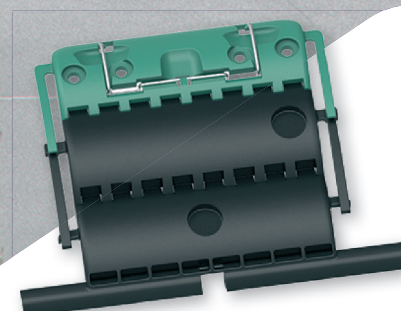


ZURFLÜH-FELLER



A wide range of locking devices for ZF Tubes

Safety, reliability and ease-of-use:
the keys to ZF quality

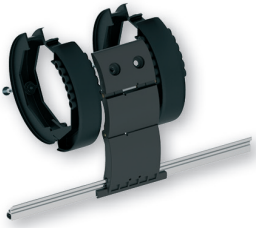


Autolock for ZF® Tubes

“Burglar resistant” ZF range:

- An advantage for your self-learning motors with automatic limit switch
- Meets standard NF EN 13659

Blocksur autolock



Anti-intrusion safety product particularly suitable for traditional roller shutters:

- ⊕ 4 models available – 1, 2, 3 and 4 links
- ⊕ 2 coupling profiles for fitting onto 8 and 14 mm laths
- ⊕ Rings for the following tubes:
ZF 45, ZF 54, ZF 64, ZF 80
Octagonal 40, 50, 60, 70

Rigid attachment 2 (AR2)

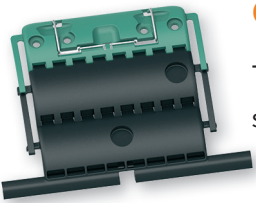


Excellent comfort and a solid connection suitable for gearboxes with slip clutch function and motors with torque limiter. It can be used to completely close

the curtain and fully close the gaps which will prevent the shutter from rattling in the wind:

- ⊕ 3 models available with 1, 2 and 3 links
- ⊕ Fastened to ZF tubes using wire clip
- ⊕ Fastened to other tubes using screws or rivets
- ⊕ 8 mm laths only

Clicksur autolock



This is the result of ZF's innovation and development approach in terms of reliable and affordable safety couplings:

- ⊕ 3 models available with 1, 2 and 3 links
- ⊕ 2 models for fitting onto 8 and 14 mm laths
- ⊕ Fastened to ZF 45, ZF 54 and ZF 64 tubes using wire clip
- ⊕ Fastened to other tube types using screws or pop rivets

Garage door range



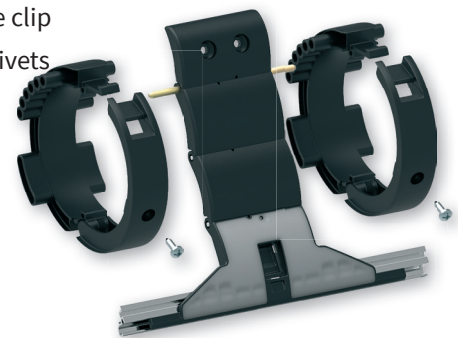
Heavy-duty shutter attachment



This product acts as a robust coupling to connect the curtain to the tube. This attachment is used with ZF 80, Octagonal 70 or ZF 64 tubes.

It consists of the following:

- ⊕ Two half-rings that clip together to ensure connection to the tube
- ⊕ A coupling profile with guard that slips onto the 1st lath and hooks into the ring. Screw is used to lock it down.



Blocksur autolock for garage doors

Intended for assembly with ZF 80 and Octagonal 70 tubes. We recommend using it for curtains such as roll-up garage doors.

- ⊕ Autolock is fastened onto shaft using the clip-together ring halves.
- ⊕ Quick and reliable installation allow for great flexibility in adjustment and easy maintenance.
- ⊕ Removable aluminium profile > easy removal and reassembly during maintenance, can be attached to lath without needing to slide on autolocks from side of curtain.
- ⊕ Available in versions with 1, 2, 3 and 4 links.

